



HAMLET

Putting warmth at the heart of the home

Solution 4 (Series 4)



Solution 4

Ecodesign Ready and with a classic look. This generation of Solution stoves produce the equivalent heat output of previous Solution models whilst using less fuel than ever before. Its multi fuel function will let you burn seasoned wood or solid smokeless fuel and is very easy to control.

Features

- Meets Ecodesign standards for clean burning on both Wood and Solid Fuel
- Suitable for smoke control areas
- Preheated airwash system for clean glass
- 10 year guarantee on the stove body
- Non-smoker paint, available in multiple colours
- Externally controlled riddling grate
- 5 inch top or rear flue outlet
- Optional rear heat shield for reduced distance to non-combustible material



Solution 4



Ideal for smaller living spaces

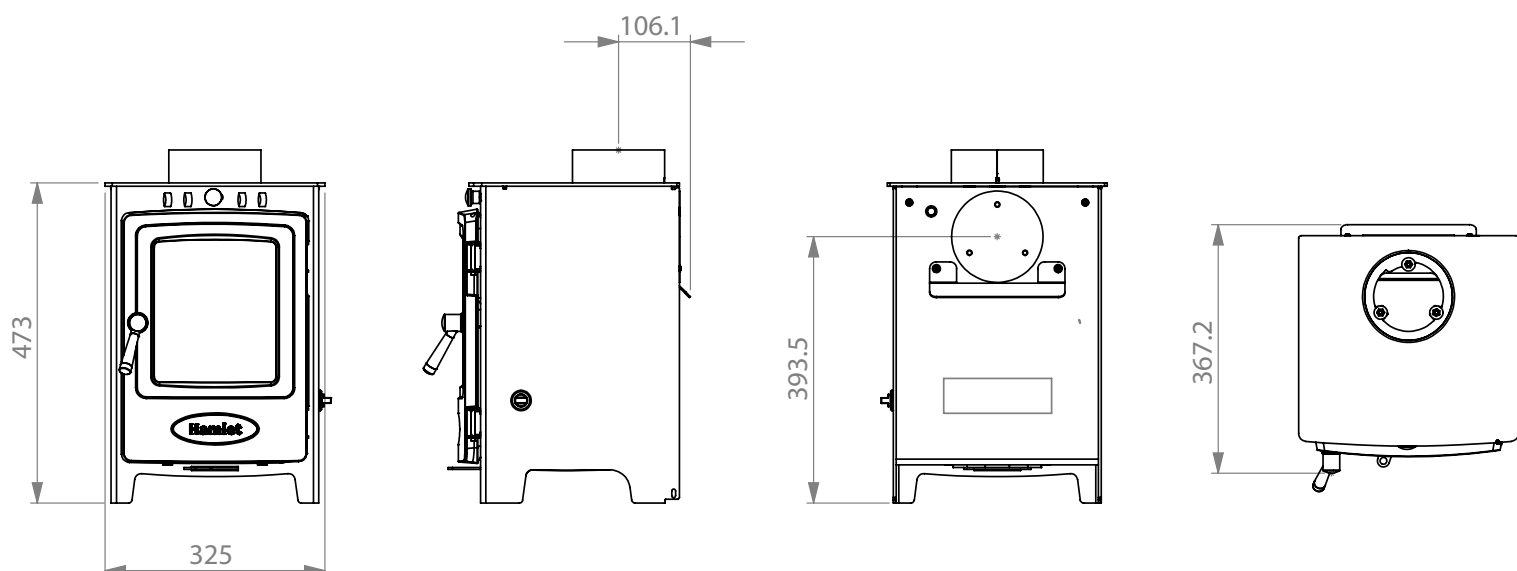
Dimensions

Width	334 mm
Height	473 mm
Depth	387 mm
Ideal log length	200 mm

Optional Extras: Safety Handle / Rear heat shield / Floor fixing kit / Direct air connection



Solution 4 (Series 4)



Dimensions

Width (inc. across canopy and riddle boss)	334 mm
Height	473 mm
Depth	387 mm
Flue Diameter	127 mm
Depth from back to centre of top flue	90 mm
Height to centre of rear flue	393.5 mm
Ideal log length / diameter	200mm / 100mm

Performance

	Wood Fuel	Solid Fuel
Energy Efficiency Class	A+	E
Nett Efficiency	83.1 %	75.5 %
Nominal Output	4.6 kW	4.4 kW
Output Range	3.5 - 6 kW	
Mean Co Emission (@13% O ₂)	0.10 %	0.11 %
DIN+ particulate	28 Nmg/m ³	16 Nmg/m ³
Mean NO _x Emission (@13% O ₂)	113 Nmg/m ³	150 Nmg/m ³
Mean OGC Emission (@13% O ₂)	91 Nmg/m ³	45 Nmg/m ³
Flue Gas Mass Flow	3.7 g/s	3.8 g/s
Flue Gas Temperature	232 °C	300 °C
Typical Fuel load for nominal rated output per hour (kWh/Kg)	0.94 (Seasoned hardwood)	0.70 (MSF Maxibrite)

Features

Stove body type	Freestanding
Ecodesign Ready	Yes
Suitable for smoke control areas	Yes
Suitable for direct air connection	Yes *
Suitable for non-combustible 12mm hearth	Yes
Weight gross (packed kg)	62 Kg
Weight nett (unpacked kg)	58 Kg

Minimum distance to combustibles

	A	B	C
Rear	650 mm	375 mm	225 mm
Side	650 mm	650 mm	650 mm
Max hearth temp.	92 °C	92 °C	92 °C

A = Single Walled Flue, without Rear Heat Shield fitted
 B = Single Walled Flue, with Rear Heat Shield fitted
 C = Twin Walled Flue, with Rear Heat Shield fitted

Direct air spigot location

(when viewing the rear side of the stove)

Horizontal position	Centre
Distance from floor to centre	TBA mm

We recommend this appliance is installed with clearance of 100mm to non-combustible materials.

Installation and operating instructions for this stove are available online at www.aradastoves.com.

* Note: The optional direct air adaptor for this model is not room-sealed and should not be installed on a stove in an air-tight property.

Solution 5 (Series 4)



Solution 5 Series 4

Ecodesign Ready and with a classic look.

This generation of Solution stoves produces the equivalent heat output of previous Solution models whilst using less fuel than ever before.

This 4.9 kW stove is multi fuel allowing you to burn seasoned wood or solid smokeless fuel and is easy to control. The Solution 5 stove is certain to keep your home warm and cosy.

Features

- Burns wood or solid fuel
- Ecodesign ready, suitable for smoke control areas
- Preheated airwash system for clean glass
- 10 year guarantee on the stove body
- Non-smoker paint, available in multiple colours
- Externally controlled riddling grate
- Top or rear flue outlet
- Optional rear heat shield for reduced distance to non-combustible material

Dimensions

Width	436 mm
Height	551 mm
Depth	387 mm
Ideal log length	300 mm



Solution 5

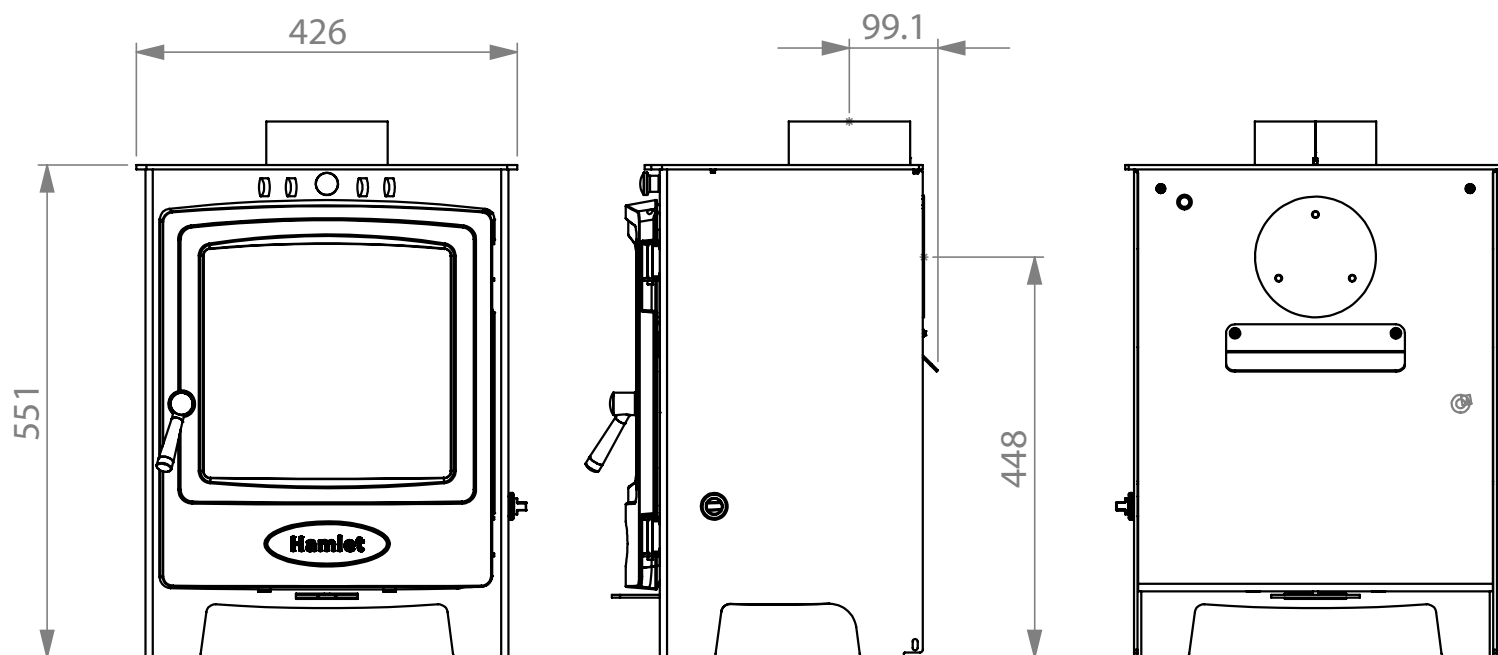


Clever design that's easy to use

Optional Extras: Safety Handle / Rear heat shield / Floor fixing kit / Direct air connection



Solution 5 (Series 4)



Dimensions

Width (inc. riddle control)	436 mm
Height	551 mm
Depth	387 mm
Flue Diameter	127 mm
Depth from back to centre of top flue	82 mm
Height to centre of rear flue	448 mm
Ideal log length / diameter	300mm / 100mm

Features

Stove body type	Freestanding
Ecodesign Ready	Yes
Suitable for smoke control areas	Yes
Suitable for direct air connection	Yes *
Suitable for non-combustible 12mm hearth	Yes
Weight gross (packed kg)	68.5 Kg
Weight nett (unpacked kg)	63 Kg

Performance

	Wood Fuel	Solid Fuel
Energy Efficiency Class	A	E
Nett Efficiency	80.6 %	79.7 %
Nominal Output	4.9 kW	4.9 kW
Output Range	3.8 - 6.6 kW	
Mean Co Emission (@13% O ₂)	0.09 %	0.11 %
DIN+ particulate	22 Nmg/m ³	33 Nmg/m ³
Mean NO _x Emission (@13% O ₂)	104 Nmg/m ³	132 Nmg/m ³
Mean OGC Emission (@13% O ₂)	67 Nmg/m ³	44 Nmg/m ³
Flue Gas Mass Flow	4.0 g/s	3.8 g/s
Flue Gas Temperature	265 °C	275 °C
Typical Fuel load for nominal rated output per hour (kWh/Kg)	1.10 (Seasoned hardwood)	0.75 (MSF Maxibrite)

Minimum distance to combustibles

	A	B	C
Rear	750 mm	500 mm	350 mm
Side	550 mm	550 mm	550 mm
Max hearth temp.	54 °C	54 °C	58 °C

A = Single Walled Flue, without Rear Heat Shield fitted
 B = Single Walled Flue, with Rear Heat Shield fitted
 C = Twin Walled Flue, with Rear Heat Shield fitted

Direct air spigot location

(when viewing the rear side of the stove)

Horizontal position	Centre
Distance from floor to centre	TBA mm

We recommend this appliance is installed with clearance of 100mm to non-combustible materials. Installation and operating instructions for this stove are available online at www.aradastoves.com.

* Note: The optional direct air adaptor for this model is not room-sealed and should not be installed on a stove in an air-tight property.

Solution 5 Inset (Series 4)



Solution 5 Inset Series 4

Ecodesign Ready and with a classic look. This generation of Solution stoves produces the equivalent heat output of previous Solution models whilst using less fuel than ever before.

This 4.9 kW stove is multi fuel allowing you to burn seasoned wood or solid smokeless fuel and is easy to control. The Solution 5 Inset stove is certain to keep your home warm and cosy.

Dimensions

Width	517 mm
Height	580 mm
Depth	469 mm
Ideal log length	200 mm

Features

- Burns wood or solid fuel
- Ecodesign ready, suitable for smoke control areas
- Preheated airwash system for clean glass
- 10 year guarantee on the stove body
- Non-smoker paint, available in multiple colours
- Externally controlled riddling grate

Optional Extra: Safety Handle



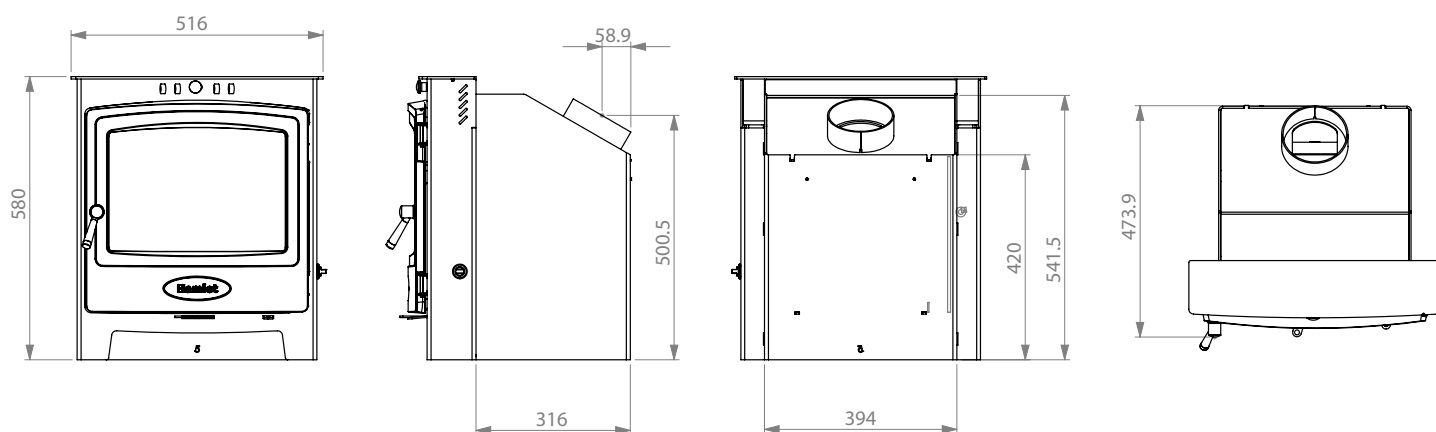
Solution 5 Inset



Clever design that's easy to use



Solution 5 Inset (Series 4)



Dimensions

Width (across canopy and riddle boss)	517 mm
Height	580 mm
Depth (from rear to handle boss)	469 mm
Width into opening	394 mm
Height into opening	544 mm
Depth into opening	316 mm
Depth of front fascia	100 mm
Flue Diameter	127 mm
Flue Outlet Angle from vertical	30 °
Ideal log length / diameter	200mm / 100mm

Performance

	Wood Fuel	Solid Fuel
Energy Efficiency Class	A	E
Nett Efficiency	79.9 %	76 %
Nominal Output	5 kW	5 kW
Output Range	4.1 - 6.7 kW	
Mean Co Emission (@13% O ₂)	0.08 %	0.07 %
DIN+ particulate	14 Nmg/m ³	12 Nmg/m ³
Mean NO _x Emission (@13% O ₂)	97 Nmg/m ³	138 Nmg/m ³
Mean OGC Emission (@13% O ₂)	79 Nmg/m ³	30 Nmg/m ³
Flue Gas Mass Flow	4.1 g/s	4.1 g/s
Flue Gas Temperature	274 °C	323 °C
Typical Fuel load for nominal rated output per hour (kWh/Kg)	1.44 (Seasoned hardwood)	0.76 (MSF Maxibrite)

Features

Stove body type	Inset
Ecodesign Ready	Yes
Suitable for smoke control areas	Yes
Suitable for direct air connection	No
Suitable for non-combustible 12mm hearth	No
Weight gross (packed kg)	89 Kg
Weight nett (unpacked kg)	83 Kg

Minimum distance to combustibles

Top	250 mm
Side	175 mm
Max hearth temp.	66 °C

We recommend this appliance is installed with clearance of 100mm to non-combustible materials.

Installation and operating instructions for this stove are available online at www.aradastoves.com.

Solution 5 Compact (Series 4)



Solution 5 Compact Series 4

Ecodesign Ready and with a classic look. This generation of Solution stove produce the equivalent heat output of previous Solution models whilst using less fuel than ever before. The Solution 5 Compact stove is certain to keep your home warm and cosy.

Dimensions

Width	397 mm
Height	551 mm
Depth	387 mm
Ideal log length	200 mm

Features

- Meets Ecodesign standards for clean burning on both Wood and Solid Fuel
- Suitable for smoke control areas
- Preheated airwash system for clean glass
- 10 year guarantee on the stove body
- Non-smoker paint, available in seven colours
- Externally controlled riddling grate
- Top or rear flue outlet
- Optional rear heat shield for reduced distance to non-combustible material

This slender-bodied 4.8 kW stove is multi fuel allowing you to burn seasoned wood or solid smokeless fuel and is easy to control.



Many colour options available
(Spice Red shown)

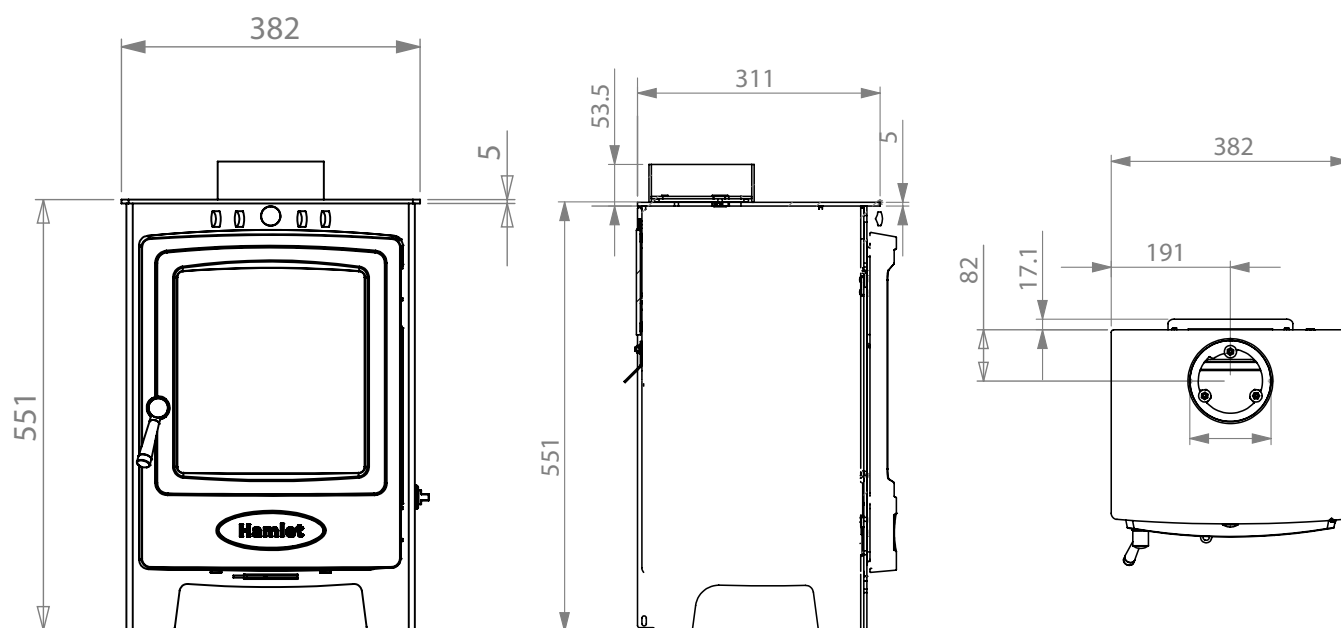


Stylish cast iron door

Optional Extras: Safety Handle / Rear heat shield / Floor fixing kit / Direct air connection



Solution 5 Compact (Series 4)



Dimensions

Width (inc. riddling control)	397 mm
Height	551 mm
Depth	387 mm
Flue Diameter	127 mm
Depth from back to centre of top flue	82 mm
Height to centre of rear flue	448 mm
Ideal log length / diameter	200mm / 100mm

Features

Stove body type	Freestanding
Ecodesign Ready	Yes
Suitable for smoke control areas	Yes
Suitable for direct air connection	Yes *
Suitable for non-combustible 12mm hearth	Yes
Weight gross (packed kg)	63 Kg
Weight nett (unpacked kg)	59 Kg

Performance

	Wood Fuel	Solid Fuel
Energy Efficiency Class	A	E
Nett Efficiency	81 %	79.9 %
Nominal Output	4.8 kW	4.8 kW
Output Range	3.9 - 6.1 kW	
Mean Co Emission (@13% O ₂)	0.12 %	0.12 %
DIN+ particulate	11 Nmg/m ³	18 Nmg/m ³
Mean NO _x Emission (@13% O ₂)	60 Nmg/m ³	101 Nmg/m ³
Mean OGC Emission (@13% O ₂)	79 Nmg/m ³	56 Nmg/m ³
Flue Gas Mass Flow	3.9 g/s	3.5 g/s
Flue Gas Temperature	259 °C	275 °C
Typical Fuel load for nominal rated output per hour (kWh/Kg)	1.10 (Seasoned hardwood)	0.75 (MSF Maximibrite)

Minimum distance to combustibles

	A	B	C
Rear	700 mm	400 mm	250 mm
Side	500 mm	700 mm	700 mm
Max hearth temp.	53.9 °C	98 °C	98 °C

A = Single Walled Flue, without Rear Heat Shield fitted
 B = Single Walled Flue, with Rear Heat Shield fitted
 C = Twin Walled Flue, with Rear Heat Shield fitted

Direct air spigot location

(when viewing the rear side of the stove)

Horizontal position	Centre
Distance from floor to centre	TBA mm

We recommend this appliance is installed with clearance of 100mm to non-combustible materials. Installation and operating instructions for this stove are available online at www.aradastoves.com.

* Note: The optional direct air adaptor for this model is not room-sealed and should not be installed on a stove in an air-tight property.

Solution 5 Widescreen (Series 4)



Solution 5 Widescreen S4 shown in Sandcastle colour option

Ecodesign Ready and with a classic look. This generation of Solution stoves produces the equivalent heat output of previous Solution models whilst using less fuel than ever before. This 4.9 kW stove is multi fuel allowing you to burn seasoned wood or solid smokeless fuel and is easy to control.

Dimensions

Width	519 mm
Height	551 mm
Depth	387 mm
Ideal log length	330 mm

Features

- Meets Ecodesign standards for clean burning on both Wood and Solid Fuel
- Suitable for smoke control areas
- Preheated airwash system for clean glass
- 10 year guarantee on the stove body
- Non-smoker paint, available in multiple colours
- Externally controlled riddling grate
- Top or rear flue outlet
- Optional rear heat shield for reduced distance to non-combustible material

Its generously-sized flame view window increases the enjoyment to be had from a lit stove. The Solution 5 Widescreen stove is certain to keep your home warm and cosy.



Solution 5 Widescreen

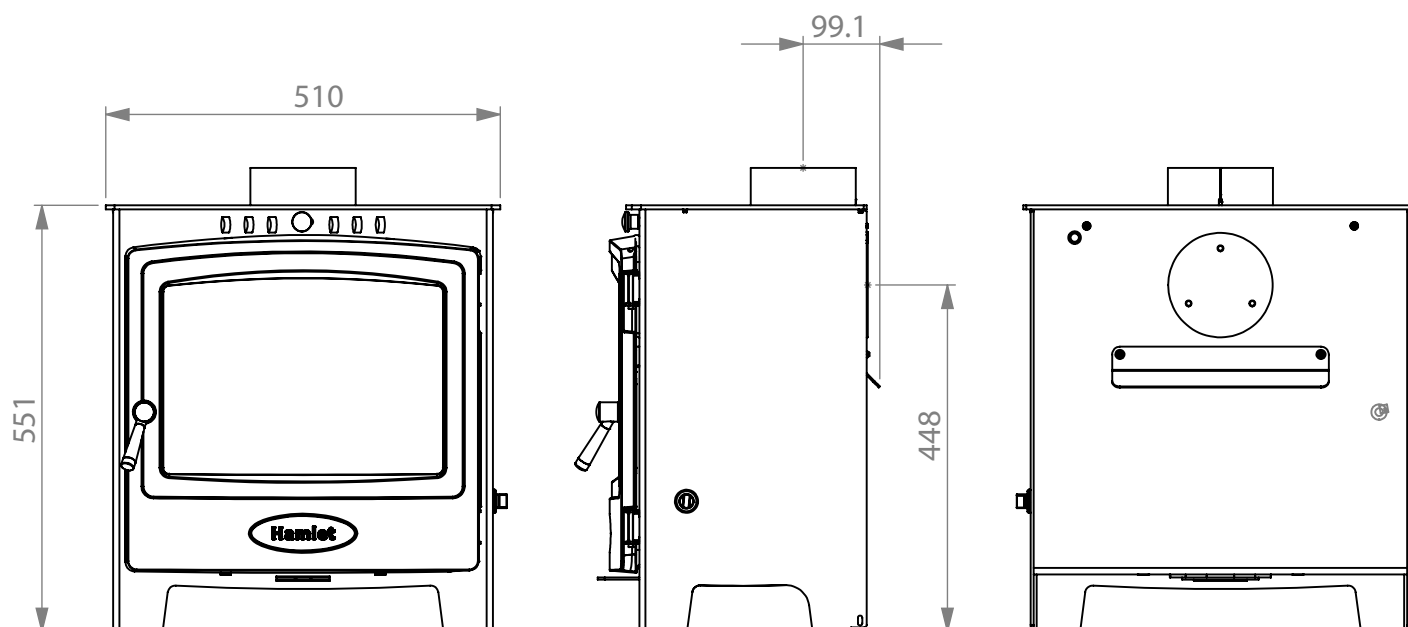


Eye-catching colour options

Optional Extras: Safety Handle / Rear heat shield / Floor fixing kit / Direct air connection



Solution 5 Widescreen (Series 4)



Dimensions

Width (inc. riddling control)	518.5 mm
Height	551 mm
Depth	387 mm
Flue Diameter	127 mm
Depth from back to centre of top flue	82 mm
Height to centre of rear flue	448 mm
Ideal log length / diameter	330mm / 100mm

Features

Stove body type	Freestanding
Ecodesign Ready	Yes
Suitable for smoke control areas	Yes
Suitable for direct air connection	Yes *
Suitable for non-combustible 12mm hearth	Yes
Weight gross (packed kg)	80 Kg

Performance

	Wood Fuel	Solid Fuel
Energy Efficiency Class	A+	E
Nett Efficiency	82.5 %	79.4 %
Nominal Output	4.9 kW	4.9 kW
Output Range	4.4 - 6.9 kW	
Mean Co Emission (@13% O ₂)	0.12 %	0.05 %
DIN+ particulate	13 Nmg/m ³	25 Nmg/m ³
Mean NO _x Emission (@13% O ₂)	84 Nmg/m ³	121 Nmg/m ³
Mean OGC Emission (@13% O ₂)	113 Nmg/m ³	30 Nmg/m ³
Flue Gas Mass Flow	4.0 g/s	3.3 g/s
Flue Gas Temperature	240 °C	291 °C
Typical Fuel load for nominal rated output per hour (kWh/Kg)	1.17 (Seasoned hardwood)	0.73 (MSF Maxibrite)

Minimum distance to combustibles

	A	B	C
Rear	900 mm	450 mm	350 mm
Side	550 mm	550 mm	500 mm
Max hearth temp.	94 °C	94 °C	94 °C

A = Single Walled Flue, without Rear Heat Shield fitted
 B = Single Walled Flue, with Rear Heat Shield fitted
 C = Twin Walled Flue, with Rear Heat Shield fitted

Direct air spigot location

(when viewing the rear side of the stove)

Horizontal position	Centre
Distance from floor to centre	TBA mm

We recommend this appliance is installed with clearance of 100mm to non-combustible materials. Installation and operating instructions for this stove are available online at www.aradastoves.com.

* Note: The optional direct air adaptor for this model is not room-sealed and should not be installed on a stove in an air-tight property.

Solution 7 (Series 4)



Solution 7 Series 4

Ecodesign Ready and with a classic look. This generation of Solution stoves produce the equivalent heat output of previous Solution models whilst using less fuel than ever before.

This 7 kW stove is multi fuel allowing you to burn seasoned wood or solid smokeless fuel and is easy to control. The Solution 7 stove is certain to keep your home warm and cosy.

Dimensions

Width	519 mm
Height	551 mm
Depth	387 mm
Ideal log length	330 mm

Features

- Meets Ecodesign standards for clean burning on both Wood and Solid Fuel
- Suitable for smoke control areas
- Preheated airwash system for clean glass
- 10 year guarantee on the stove body
- Non-smoker paint, available in seven colours
- Externally controlled riddling grate
- Top or rear flue outlet
- Optional rear heat shield for reduced distance to non-combustible material



Solution 7

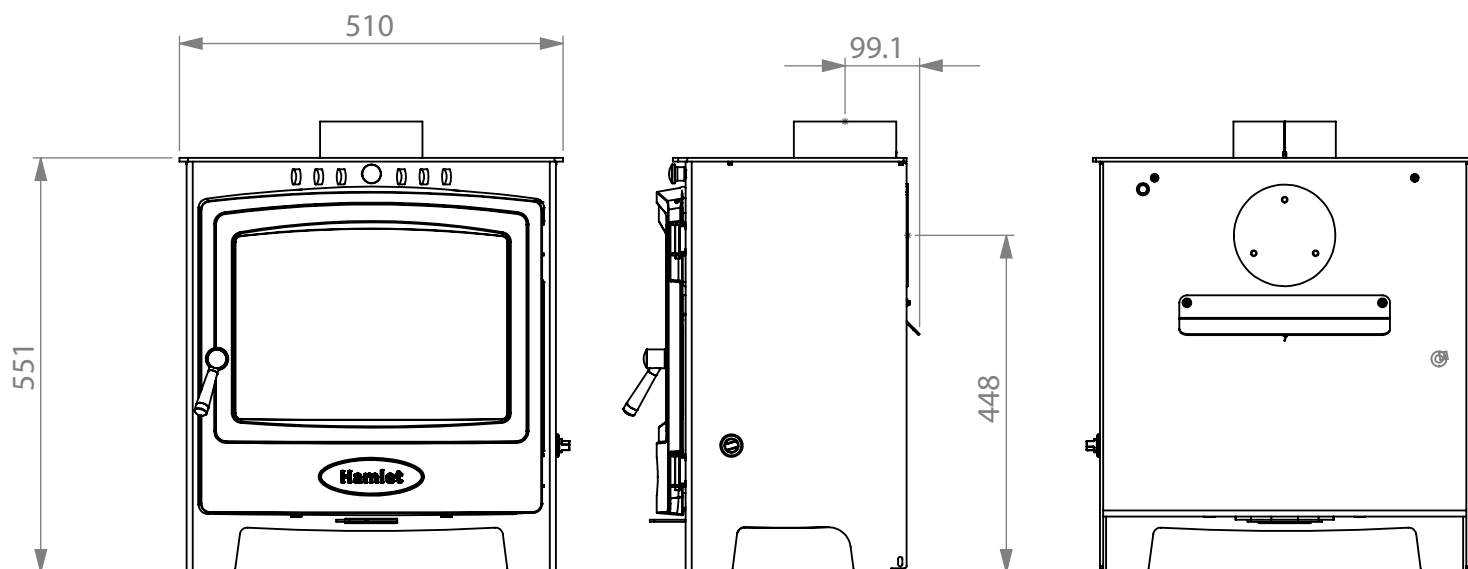


Multiple colour options available (Atlantic blue shown)

Optional Extras: Safety Handle / Rear heat shield / Floor fixing kit / Direct air connection



Solution 7 (Series 4)



Dimensions

Width (inc. riddle control)	518.5 mm
Height	551 mm
Depth	387 mm
Flue Diameter	127 mm
Depth from back to centre of top flue	82 mm
Height to centre of rear flue	448 mm
Ideal log length / diameter	330mm / 100mm

Features

Stove body type	Freestanding
Ecodesign Ready	Yes
Suitable for smoke control areas	Yes
Suitable for direct air connection	Yes *
Suitable for non-combustible 12mm hearth	Yes
Weight gross (packed kg)	80 Kg

Performance

	Wood Fuel	Solid Fuel
Energy Efficiency Class	A	D
Nett Efficiency	77.9 %	81.5 %
Nominal Output	7.0 kW	7.1 kW
Output Range	5.2 - 8.1 kW	
Mean Co Emission (@13% O ₂)	0.12 %	0.06 %
DIN+ particulate	18 Nmg/m ³	24 Nmg/m ³
Mean NO _x Emission (@13% O ₂)	109 Nmg/m ³	120 Nmg/m ³
Mean OGC Emission (@13% O ₂)	107 Nmg/m ³	42 Nmg/m ³
Flue Gas Mass Flow	6.2 g/s	4.3 g/s
Flue Gas Temperature	291 °C	326 °C
Typical Fuel load for nominal rated output per hour (kWh/Kg)	1.55 (Seasoned hardwood)	1.0 (MSF Maxibrite)

Minimum distance to combustibles

	A	B	C
Rear	650 mm	500 mm	350 mm
Side	650 mm	900 mm	650 mm
Max hearth temp.	53 °C	53 °C	53 °C

A = Single Walled Flue, without Rear Heat Shield fitted
 B = Single Walled Flue, with Rear Heat Shield fitted
 C = Twin Walled Flue, with Rear Heat Shield fitted

Direct air spigot location

(when viewing the rear side of the stove)

Horizontal position	Centre
Distance from floor to centre	TBA mm

We recommend this appliance is installed with clearance of 100mm to non-combustible materials. Installation and operating instructions for this stove are available online at www.aradastoves.com.

* Note: The optional direct air adaptor for this model is not room-sealed and should not be installed on a stove in an air-tight property.

Solution 7 Inset (Series 4)



Solution 7 Inset Series 4

Ecodesign Ready and with a classic look. This generation of Solution stoves produces the equivalent heat output of previous Solution models whilst using less fuel than ever before.

Dimensions

Width	517 mm
Height	580 mm
Depth	469 mm
Ideal log length	300 mm

This 7.1 kW stove is multi fuel allowing you to burn seasoned wood or solid smokeless fuel and is easy to control. The Solution 7 Inset stove is certain to keep your home warm and cosy.

Features

- Ecodesign, burns wood or solid fuel
- Approved for smoke control areas
- Preheated airwash system for clean glass
- 10 year guarantee on the stove body
- Non-smoker paint, available in multiple colours
- Externally controlled riddling grate



Solution 7 Inset

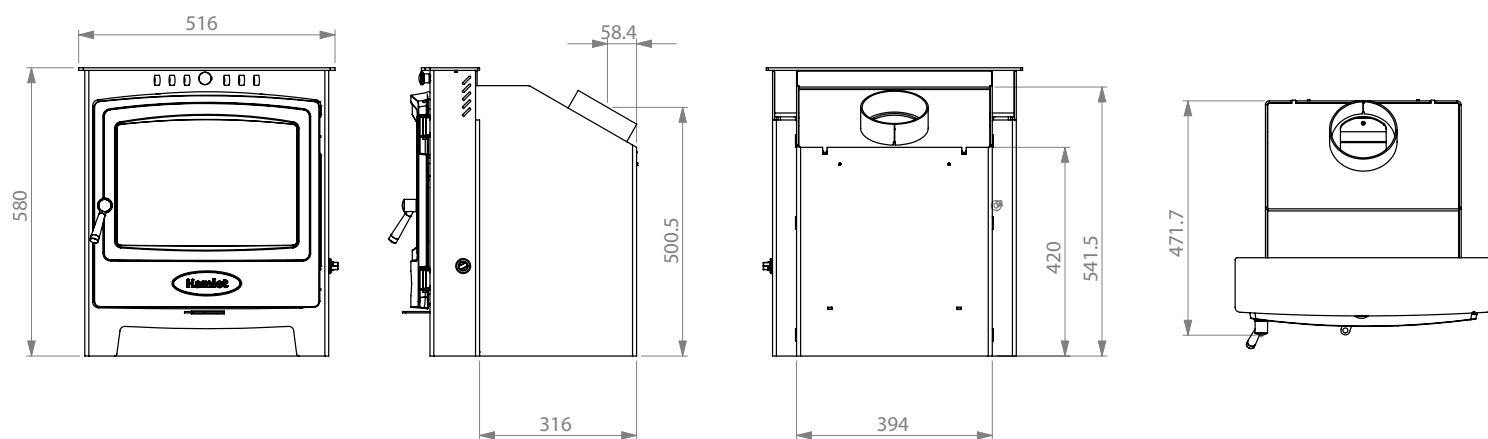


Clever design that's easy to use

Optional Extra: Safety Handle



Solution 7 Inset (Series 4)



Dimensions

Width (across canopy and riddle boss)	517 mm
Height	580 mm
Depth (from rear to handle boss)	469 mm
Width into opening	394 mm
Height into opening	544 mm
Depth into opening	316 mm
Depth of front fascia	100 mm
Flue Diameter	127 mm
Flue Outlet Angle from vertical	30 °
Ideal log length / diameter	300mm / 100mm

Minimum distance to combustibles

Top	200 mm
Side	175 mm
Max hearth temp.	70 °C

Features

Stove body type	Freestanding
Ecodesign Ready	Yes
Suitable for smoke control areas	Yes
Suitable for direct air connection	No
Suitable for non-combustible 12mm hearth	No ¹
Weight gross (packed kg)	91 Kg
Weight nett (unpacked kg)	85 Kg

Performance

	Wood Fuel	Solid Fuel
Energy Efficiency Class	A	E
Nett Efficiency	75.4 %	75.8 %
Nominal Output	7.1 kW	7.1 kW
Output Range	5 - 8.6 kW	
Mean Co Emission (@13% O ₂)	0.11 %	0.08 %
DIN+ particulate	27 Nmg/m ³	27 Nmg/m ³
Mean NO _x Emission (@13% O ₂)	95 Nmg/m ³	159 Nmg/m ³
Mean OGC Emission (@13% O ₂)	92 Nmg/m ³	43 Nmg/m ³
Flue Gas Mass Flow	6.23 g/s	6.4 g/s
Flue Gas Temperature	326 °C	332 °C
Typical Fuel load for nominal rated output per hour (kWh/Kg)	1.62 (Seasoned hardwood)	1.08 (MSF Maxibrite)

We recommend this appliance is installed with clearance of 100mm to non-combustible materials.

Installation and operating instructions for this stove are available online at www.aradastoves.com.

DIVE INTO A WHOLE NEW WORLD OF COLOUR

A UNIQUE NEW LOOK FOR STOVES. THE BOLD
EDIT IS A PALETTE OF FOUR EXCITING NEW
SHADES THAT ARE EXCLUSIVE TO ARADA



THE BOLD EDIT



FLAMINGO



MIAMI



RAINCOAT



PEAPOD

ARADA

— DEVON —

Check model details online for availability of The BOLD Edit colourways

Also available in Black

Our stoves available in black as standard, why not explore our other colour options?

Non-smoker paint

There's no curing time with any of our paints and no unpleasant curing odour either.

Robust and easy to keep clean

Our paints are resistant to very high temperatures and they're easy to keep clean.



SLATE

If you're looking for a wood burner that's timeless, but with a softer aesthetic, then a grey wood burner is the perfect stove for you. Opt for grey limestone slabs for your hearth to perfectly complement the stove.



MIST

A timeless shade with a touch of contemporary style, a stove in this shade is the perfect pairing for grey and neutral décor schemes.



SPICE

An eye-catching statement, choose the fiery finish of Spice to add a touch of seasonal charm reminiscent of the colours of winter leaves to your space.



CHESTNUT

With its warm bronzed finish made up of greens and browns, a stove in Chestnut is a nod to nature and is right at home with the rustic shades of firewood.



SANDCASTLE

This soft-off white shade, an ideal colourway for a calm, neutral room scheme. The subtle, warm undertones of this shade invite you to relax and curl up in front of the fire.



ATLANTIC

This sophisticated blue shade is eye-catching. Paired with crisp white walls, complementary shades of pastel pink or warm terracotta for an interior space that is as cosy as it is stylish.